

## **Broadmoor Wood Bench**

Item No. OF-1001

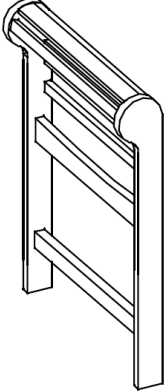
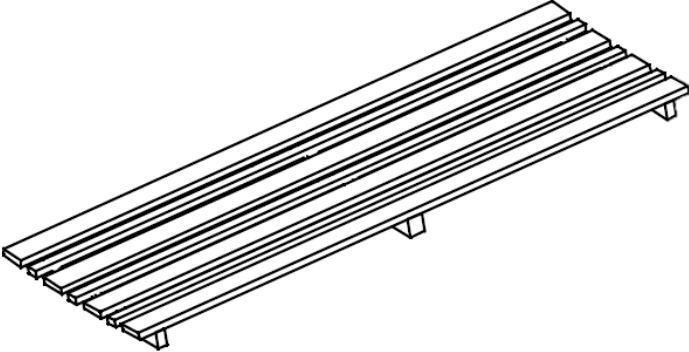
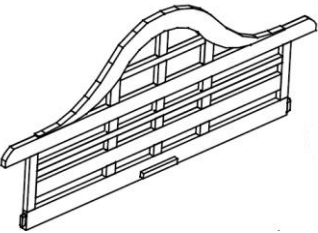


For assistance with assembly, please contact [DTYStore.com](http://DTYStore.com) Customer Satisfaction Center  
866-217-8155 . [CS@DTYStore.com](mailto:CS@DTYStore.com)

Made in Vietnam




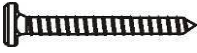

## Pre-Assembly Instructions

- Read all instructions carefully before assembly.
- Find a smooth clean area in which to work to avoid damaging your item.
- Check that all parts and hardware from the lists are present.
- Lay out parts in alphabetical order and hardware in numerical order to make them easier to find when you are ready to assemble
- Wait to dispose of packing material until assembly is complete to avoid accidentally disposing of small parts or hardware
- Tools required: Hex wrench (included) Phillips screwdriver and flathead screwdriver (not included)
- Please use caution and care when lifting the product to avoid injury
- For ease of assembly two people are recommended

### Parts List:

|   |  |   |
|---|--|---|
| A. Leg Qty: 2<br>   | B. Seat Qty: 1<br>            |   |
| C. Back Qty: 1<br> | D. Seat Cross-Bar Qty: 1<br> | E. Leg Cross- Bar Qty: 1<br> |

### Hardware List:

|  |   |   |
|--|---|---|
| 1. Bolt/Barrel Nut Qty: 4<br>         | 2. Long Screw (90mm long) Qty: 4<br> | 3. Medium Screw (60mm long) Qty: 2<br> |
| 4. Short Screw (35mm long) Qty: 4<br> | 5. Hex Wrench Qty: 2<br>           |   |

### Assembly Instructions:

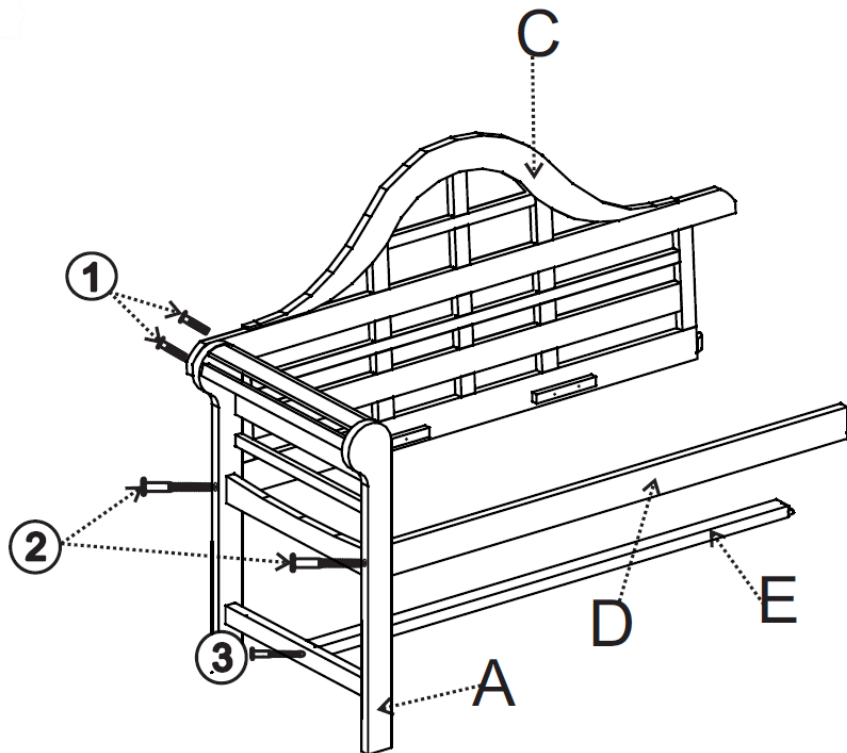
#### Step 1

*Wait to fully tighten all hardware until the end of Step 3.*

Use two Bolts/Barrel Nuts (1) and one Long Screw (2) to loosely attach one Leg (A) to the Back (C).

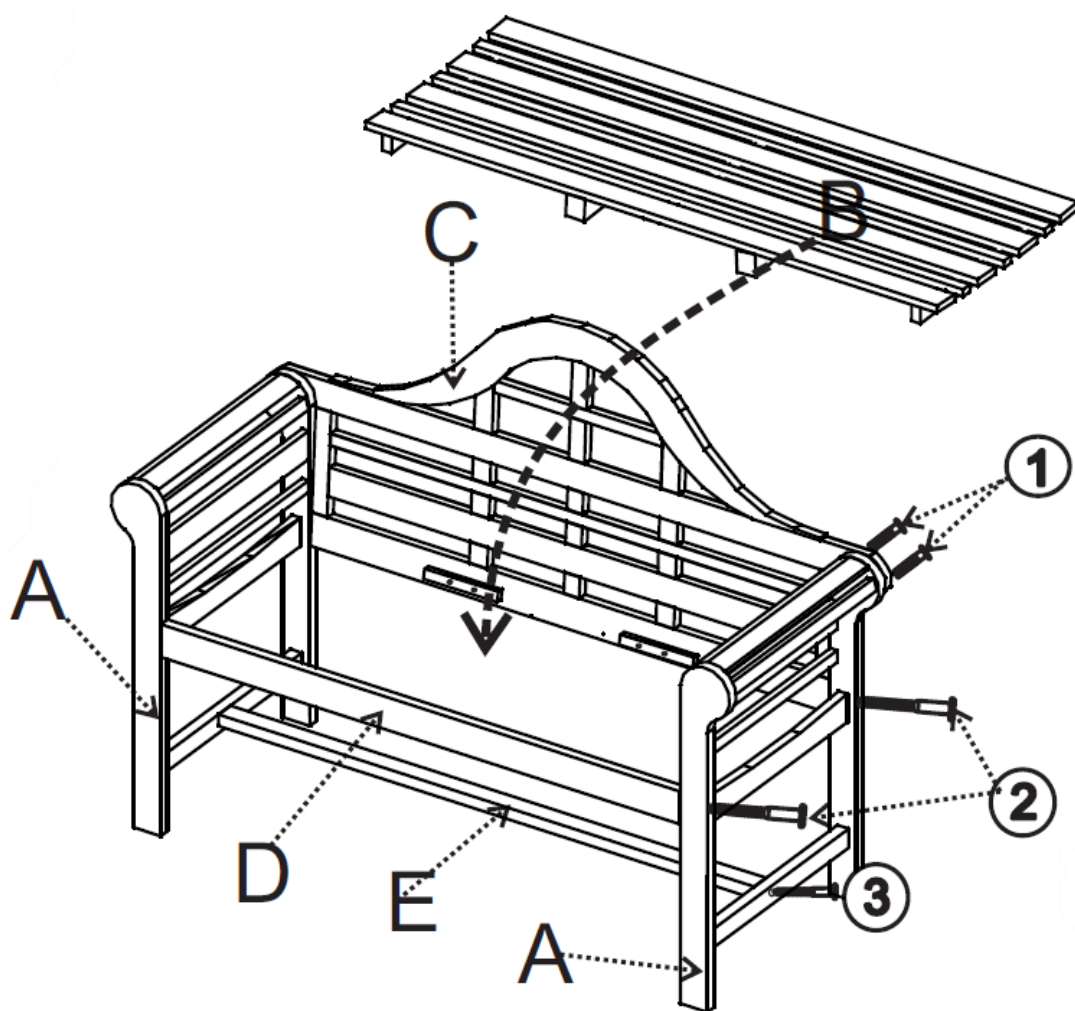
Use one Long Screw (2) to loosely attach the Seat Cross-Bar (D) to the front of the Leg (A). *Be sure the block is at the bottom and facing the back of the bench.*

Use one Medium Screw (3) with to loosely attach the Leg Cross bar (E) to the middle of the Leg (A)



## Step 2

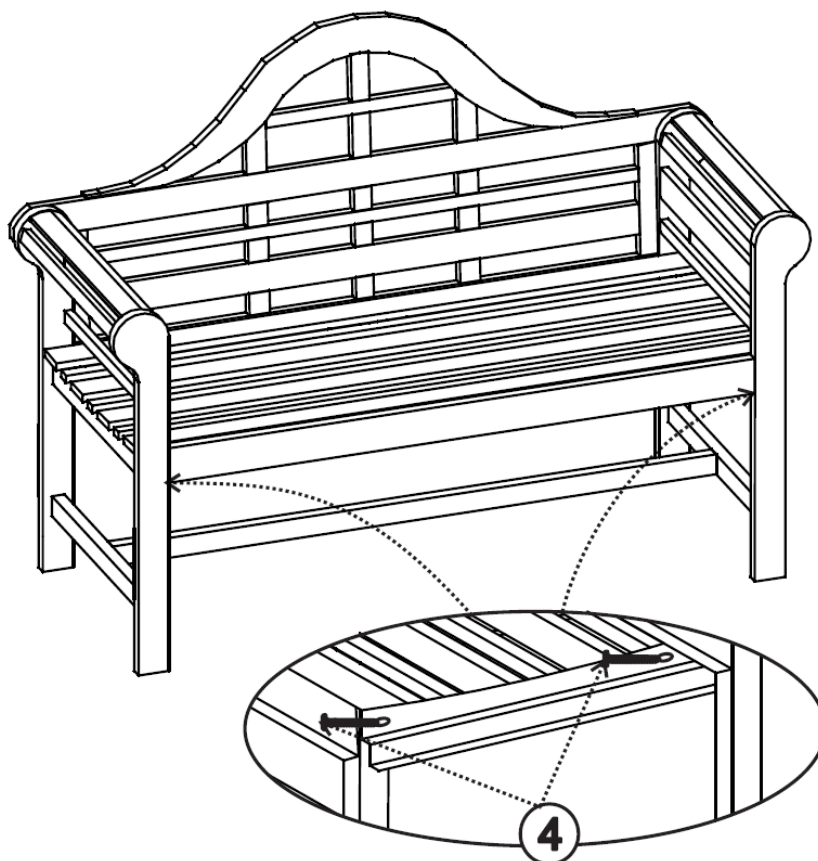
Use two Bolts/Barrel Nuts (1), two Long Screws (2), and one Medium Screw (3) and Hex Wrench (5) to loosely attach the Leg (A) to the Back (C), Seat Cross-Bar (D) and Leg Cross-Bar (E). Insert Seat (B)



### Step 3

From the underside of the Seat, use four Short Screws (4) with the Hex Wrench to loosely attach the Seat to the Legs.

Use the Hex Wrench to fully tighten all bench hardware.



### Post-Assembly Instructions:

- Periodically check hardware to be sure it does not loosen over time.
- Do not stand on this item.

### Outdoor Furniture Care Instruction:

With the proper care your premium eucalyptus furniture will last up to 25 years or more. For unfinished furniture, we suggest lightly sanding the surface of the furniture with 150 or 180 grit sandpaper once a year to remove any fuzziness and any larger splinter causing fibers that occur due to exposure to the elements. Be sure to sand lightly to retain the natural patina. Furniture with an oil finish should also be treated yearly with a light coat of wood oil designed for eucalyptus or teak by applying it with a soft cloth. For finished furniture, we recommend brushing off any loose dirt or debris with a soft brush and wiping down with a mild detergent and water. We recommend you protect your furniture in the off season by using a using a good quality furniture cover. It helps keep your furniture clean and protects it from the elements thus minimizing annual maintenance.